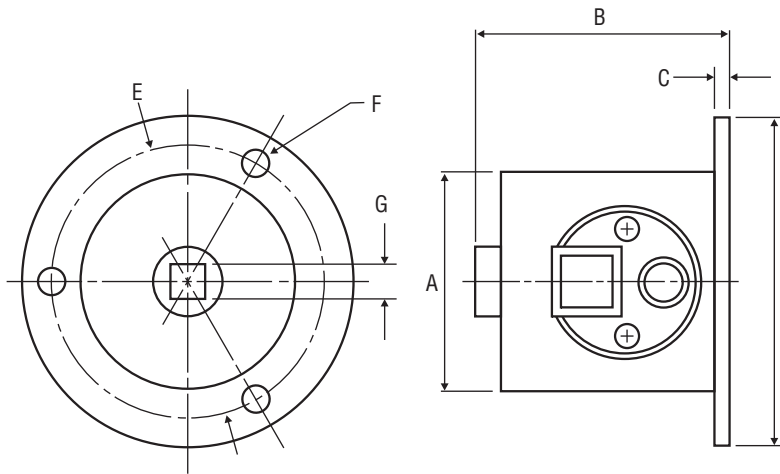
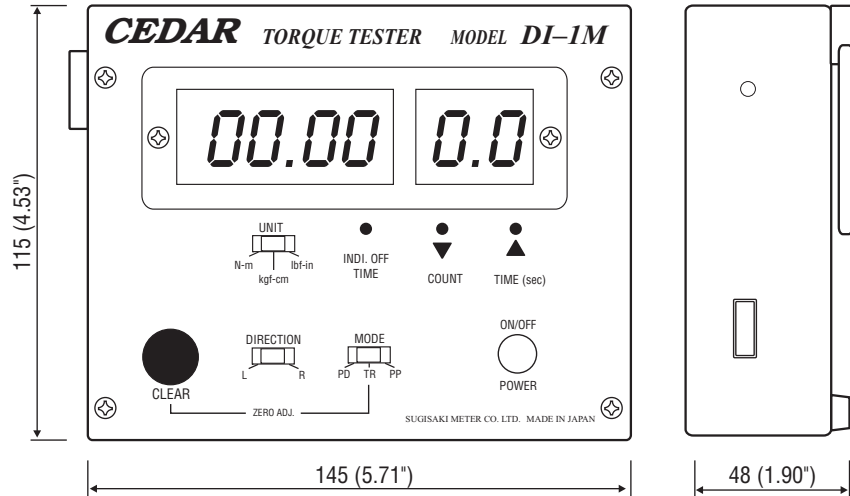


Model: DI-1M



Model	A	B	C	D	E	F	G
DI-1M-50	Ø50 (1.97")	63 (2.48")	10 (.39")	Ø90 (3.54")	Ø74 (2.91")	Ø6.3 (.25")	9.5 (3/8" Female Drive)
DI-1M-200	Ø60 (2.36")	79 (3.11")	15 (.59")	Ø110 (4.33")	Ø90 (3.54")	Ø8.3 (.32")	12.7 (1/2" Female Drive)
DI-1M-500	Ø80 (3.15")	99 (3.89")	15.5 (.51")	Ø140 (5.51")	Ø116 (4.57")	Ø10.5 (.41")	19 (3/4" Female Drive)