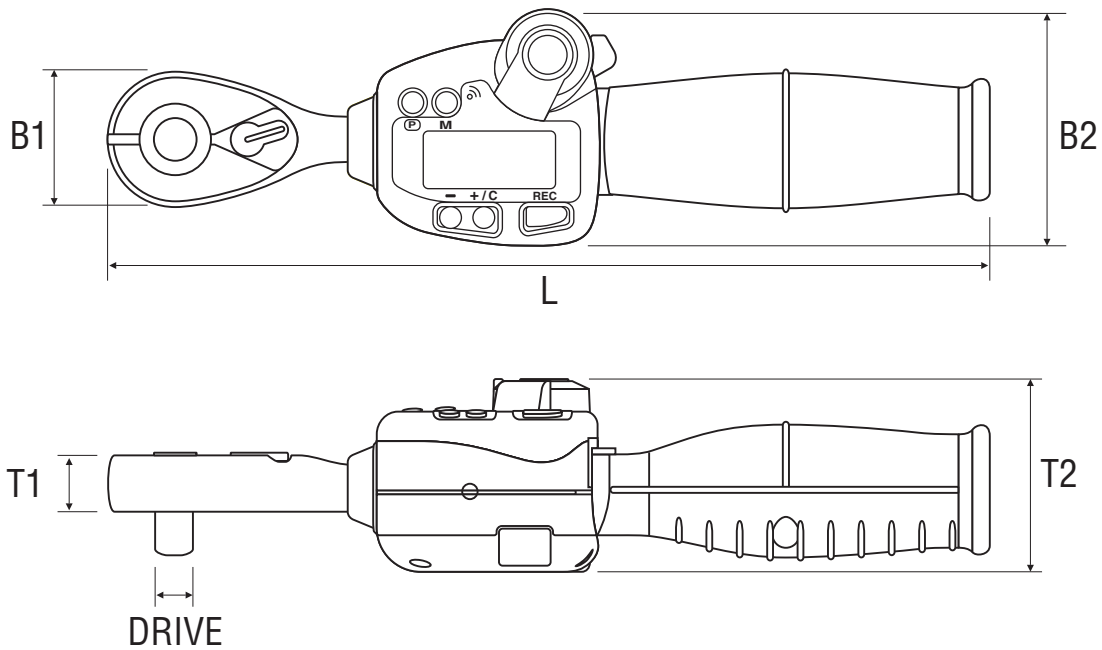




3100 Dundee Road, Suite707, Northbrook, IL 60062  
 1-866-527-4666 | Fax: 847-564-2095  
[www.hoto-instruments.com](http://www.hoto-instruments.com) | E-mail: [info@hoto-instruments.com](mailto:info@hoto-instruments.com)  
 An ISO 9001 Certified Company

## Wireless Digital Ratchet Torque Wrench Series RGED



Dimensions: millimeters (inches)

Model No.	B1	B2	L	T1	T2	Drive
<b>RGED030-R2Z</b>	22 (.86")	58.4 (2.30")	211 (8.30")	10 (.39")	48 (1.88")	1/4"
<b>RGED030-C3Z</b>	22 (.86")	58.4 (2.30")	211 (8.30")	10 (.39")	48 (1.88")	3/8"
<b>RGED060-R3Z</b>	33 (1.29")	58.4 (2.30")	217 (8.54")	13.5 (.53")	48 (1.88")	3/8"
<b>RGED085-R3Z</b>	33 (1.29")	58.4 (2.30")	271 (10.66")	13.5 (.53")	48 (1.88")	3/8"
<b>RGED135-R4Z</b>	39.5 (1.55")	58.4 (2.30")	380 (14.96")	18 (.70")	48 (1.88")	1/2"
<b>RGED200-R4Z</b>	39.5 (1.55")	58.4 (2.30")	580 (22.83")	18 (.70")	48 (1.88")	1/2"